

AB COCKS MABU

MABU IV TGR, PN40, G1/2"



- Product details**
- » Pressure gauge cock
 - » PN40
 - » Cylindrical plug
 - » Brass IV
 - » Elastic packing sleeve TGR
 - » With hand lever

*TGR = top-graph 2000

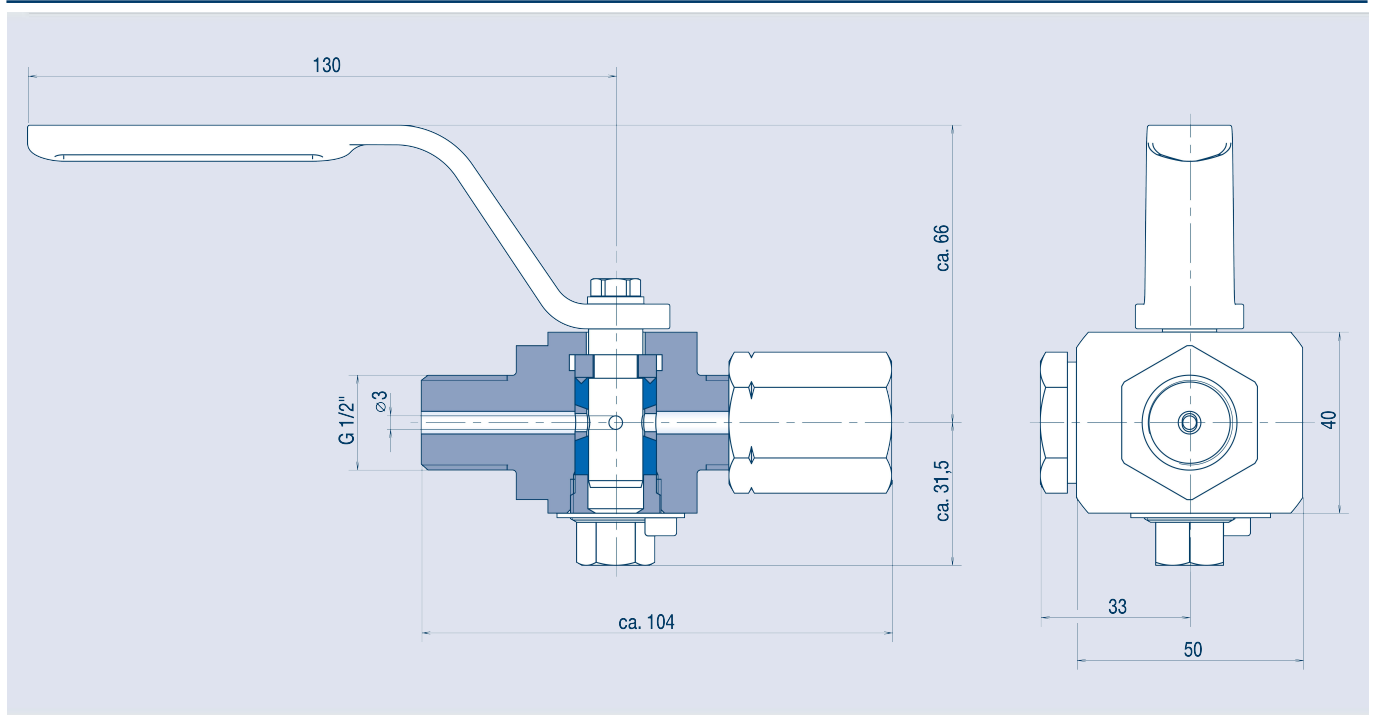
- Connections**
- Left side: G1/2"
 - Right side: clamping sleeve G1/2"
 - Pressure gauge: G1/2"

Certificates VDI 2440

Dimensions Body length 104 mm

- General features**
- » 90°-rotation ensures immediate opening and closing procedure
 - » Hand operation enables throttling, therefore usage in blow-down lines possible
 - » Simple maintenance:
The packing sleeve can be replaced within minutes with the cock staying in the line
 - » No jamming caused by corrosion

Temperature IV-TGR -10°C to +250°C, PN40



Application range

District Heating | Processing industry | Automation | Geothermal energy | Shipbuilding industry | Diesel engines | Oil & Gas | Compressed-air supply | Instrumentation & Control | Electric supply | Energy generating companies

The packing sleeve

Under pressure the lamellas of the elastic packing sleeve are pressed against the body wall and thereby an excellent seal is achieved.
The TGR (=top-graph 2000) is suitable for operating temperatures up to 250°C.



AB COCKS MABU

Pressure and temperature ranges / Parts list

